



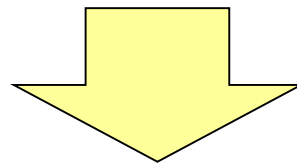
Desktop Station

DSwatch Leaflet

rev.1

Nov 6, 2018

- Not working locos, turnouts.
- Wiring missing!
- Unknow how to check track!
- Is this decoder issue? Command station issue?



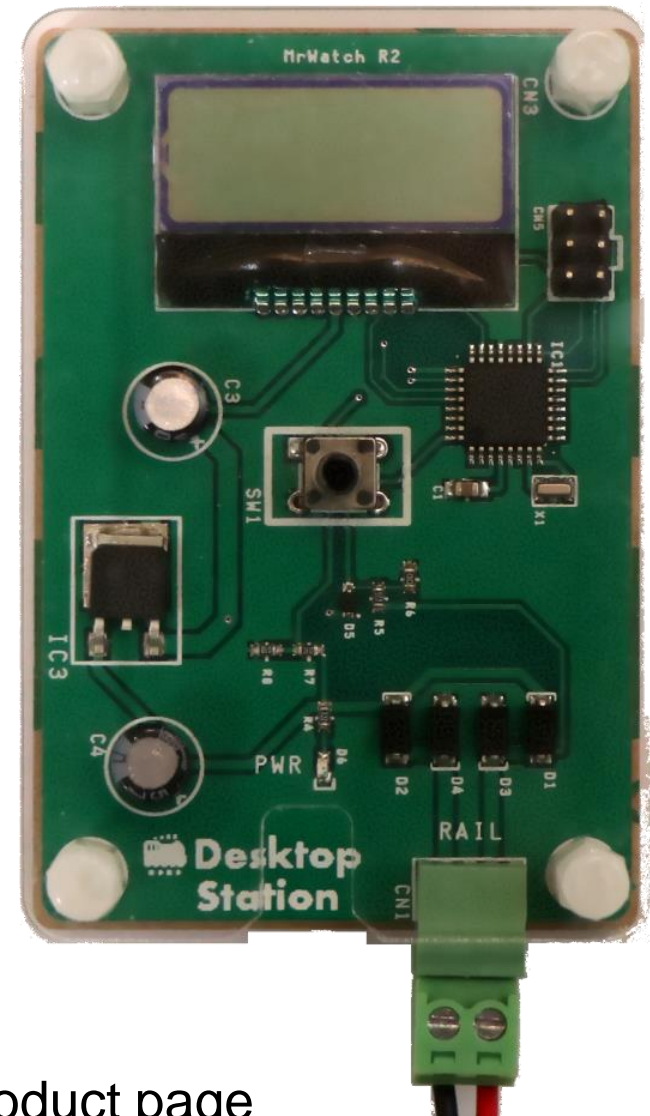
DWatch will solve above issues!

Feature

- Connect to the track 2 wire
- Visualization of DCC packet !

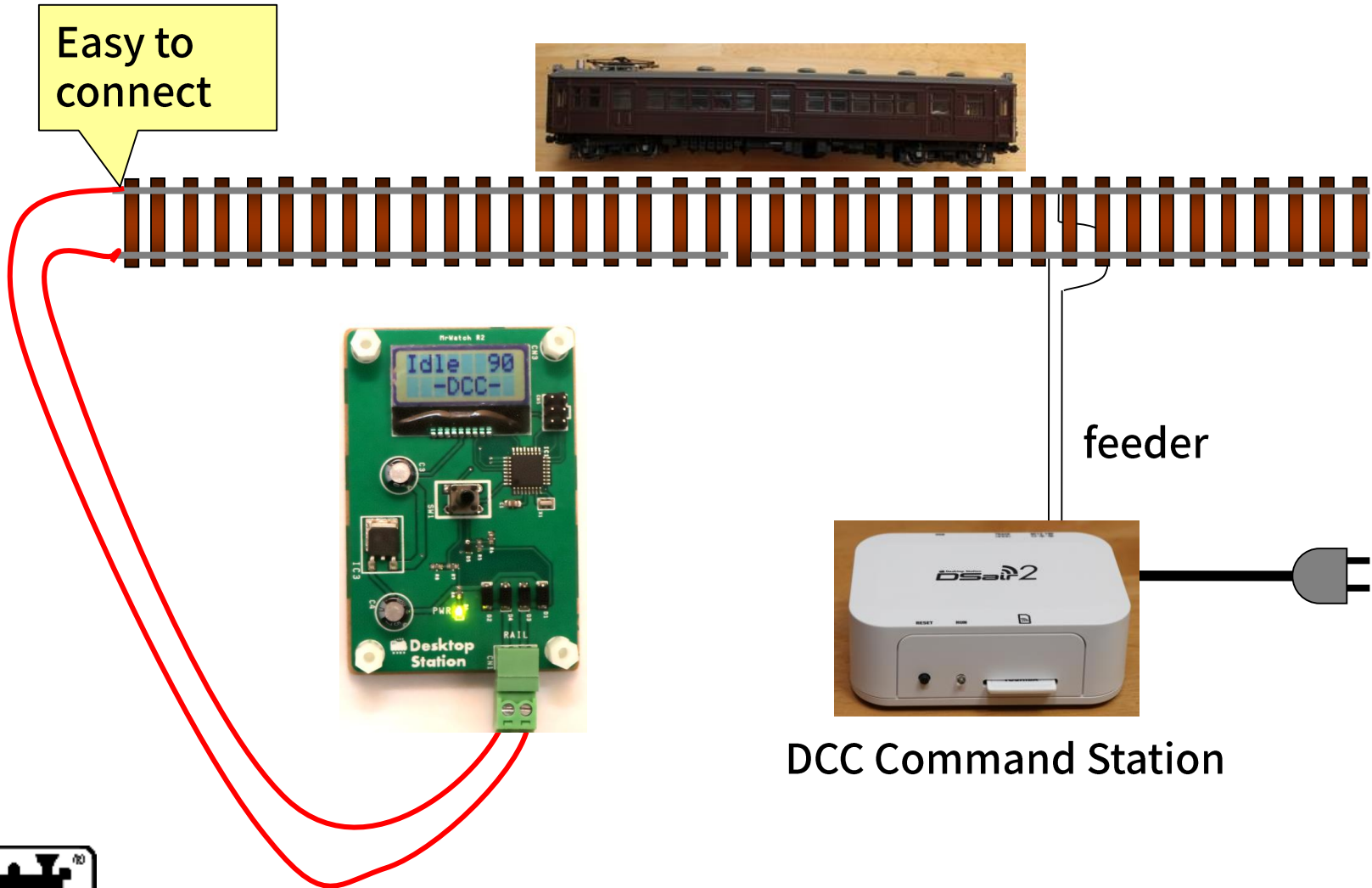
Functions

- Loco Speed, Functions
- Turnouts command history
- DCC packet HEX viewer
- Track Voltage view
- Packet Quality Check



Product page
Desktop Station Wiki

How to use DSwatch





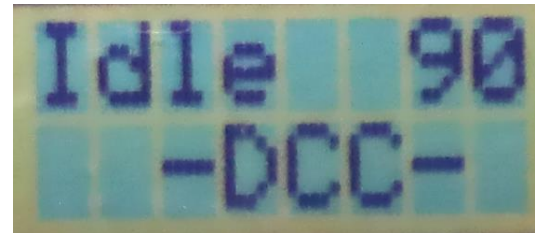
Loco information



Turnouts history



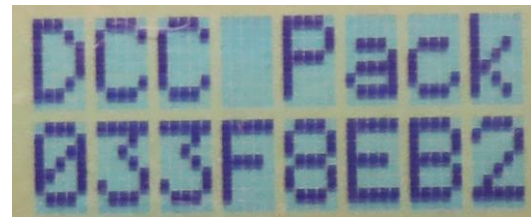
Track voltage



Idle Packets



Pulse Quality



DCC Packet view

Dswatch will solve your troubles

No.	Dswatch work	Cause
1	Dswatch is not power on	DCC signal on the track is not available.
2	Address is correct but not work	The loco's address is not correct. Dirty wheels, track. Decoder issue.
3	Dswatch shows ANALOG	The track is analog DC.
4		



Package

- Soldered PCB
- Acryl cover with nuts and screws
- EURO Connector

Web Shop

Desktop Station Shop

<https://desktopstation.net/shop/html/>

9800
JPY

